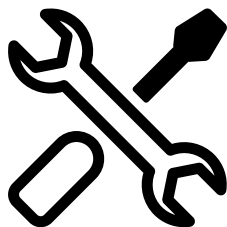


**Installation Instructions
Installationsanleitung
Montaj Talimatları
Installationsvejledning
Asennusohjeet
Installasjonsinstruksjoner
Monteringsinstruktioner
Instruțiuni de instalare
Инструкции за Инсталация
Упатства за инсталирање
Instrukcja montażu
Pokyny k instalaci
Paigaldusjuhised
Installatie instructies
Priručnik za instalaciju
Priručnik za instalaciju**

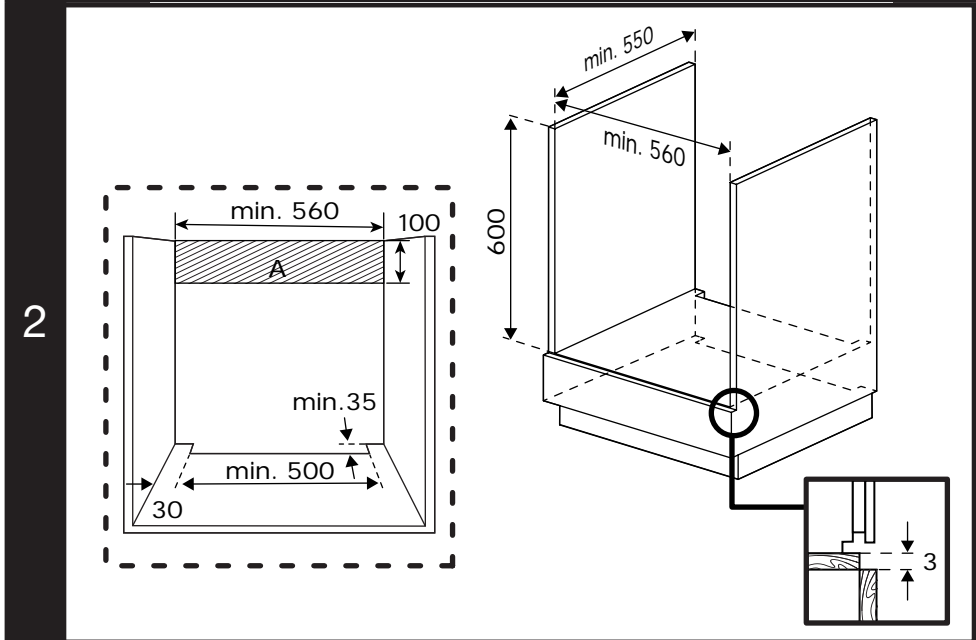
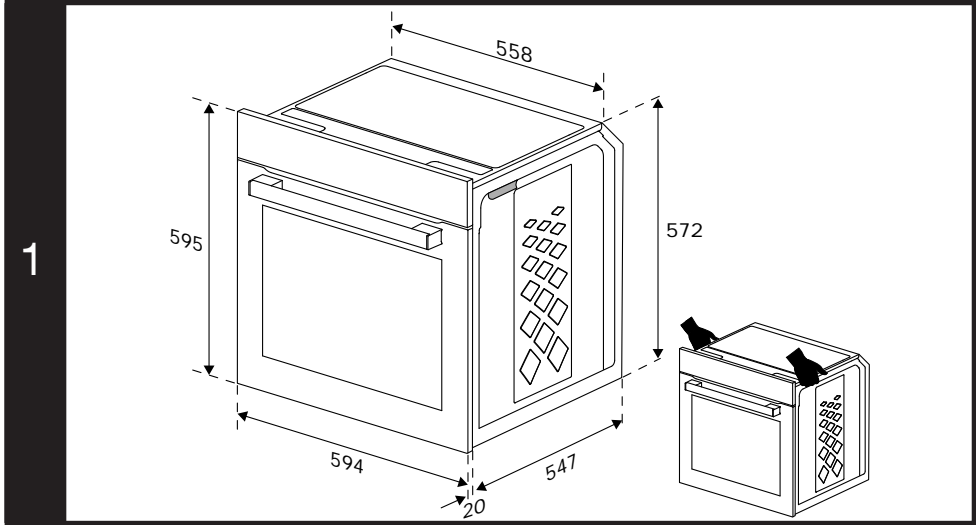
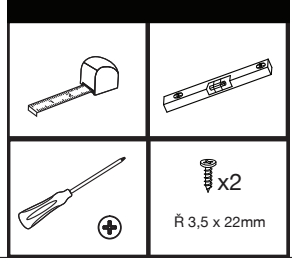
**Uputstvo za ugradnju
Manual de instalación
Manual de Instalação
Οδηγίες Εγκατάστασης
Instructions d'installation
Telepítési útmutató
Istruzioni per l'installazione
Įdiegimo instrukcija
Uzstādīšanas instrukcijas
Руководство по установке
Pokyny na inštaláciu
Navodilo za namestitev
Інструкції з встановлення
Орнату туралы нұсқаулар
安装说明**

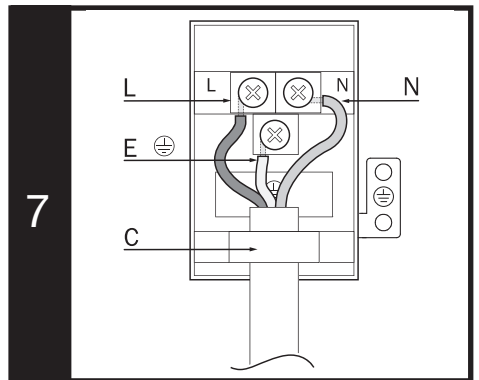
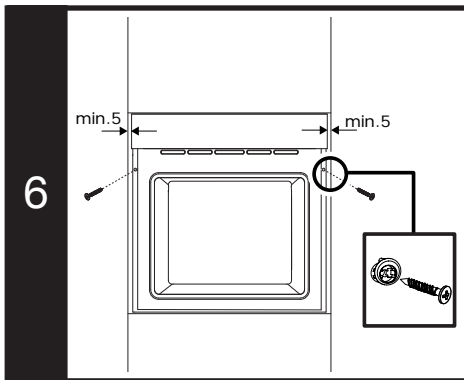
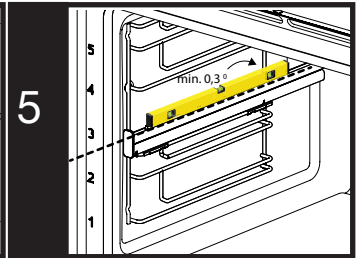
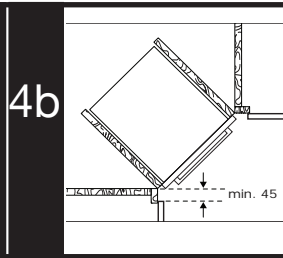
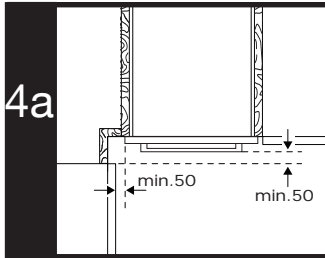
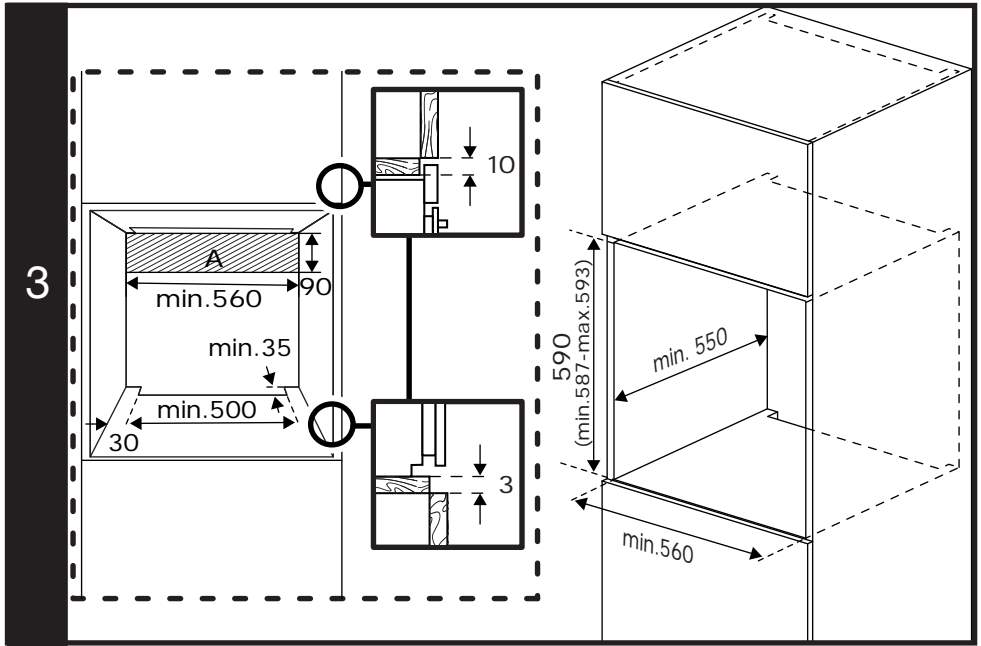


**EN / DE / TR / DA / FI / NO / SV / RO / BG / MK / PL / CZ /
ET / NL / HR / BS / SB / ES / PT / EL / FR / HU / IT / LT / LV
/ RU / SK / SL / UK / KK / ZH**



385.4400.83/R.AF/14.03.2022





EN - Safety instructions

- Product must be installed by a qualified person in accordance with the regulations in force. The manufacturer shall not be held responsible for damages arising from procedures carried out by unauthorized persons which may also void the warranty.
- Preparation of location and electrical installation for the product is under customer's responsibility.
- The product must be installed in accordance with all local electrical regulations.
- Before installing the product, remove all the materials and documents in it and visually check if the product has any defects on it. If so, do not have it installed.
- The product is heavy, carry the product with at least two people.
- The door and/or handle must not be used for lifting or moving the appliance. Use the lifting spaces on both sides of the product (figure 1). Always wear protective gloves during transport and installation.
- Disconnect electrical connections in the area to be installed before installation.
- The surfaces of the furniture that the oven is to be installed in must be heat-resistant (100 °C minimum).
- Make sure the furniture is fixed before installing the product.
- Do not install heat insulation strips inside the interior of the furniture that the oven is to be installed in.
- The appliance must not be installed behind a decorative door in order to avoid overheating.
- The dimensions given in the installation diagrams are in mm.

Installing the product

If the product will be placed under the counter: (Figure 2)

- In order to provide the necessary ventilation in the back of the kitchen furniture, openings should be created in the dimensions shown in figure 2.
- The electrical connection must be in the area A in figure 2 or outside the installation site.
- If the product is to be placed under a hob, follow the dimensions given in the hob installation manual.

If the product will be placed in the tall cabinet: (Figure 3)

- In the back compartment of the kitchen furniture, openings should be created in the dimensions shown in figure 3 in order to provide the necessary ventilation. This opening should be along the height of the cabinet.
- If there is a back panel of the tall cabinet where the product will be placed, it must be removed.
- The electrical connection must be in the A area in figure 3 or outside the installation area.

If the product will be placed to corner: (Figure 4a-4b)

- Attention should be paid to the dimensions given in order to make the corner installation in the figure 4a and 4b.

Connecting the appliance to the electricity supply


- Only connect the product to a grounded outlet/line with the voltage and protection as specified in the "Technical specifications". Have the grounding installation made by a qualified electrician while using the product with or without a transformer. Our company shall not be liable for any problems arising due to the product not being earthed in accordance with the local regulations.
- Before starting any work on the electrical installation, disconnect the product from the mains supply. There is the risk of electric shock!
- The product must be connected to the mains supply only by an authorised and qualified person. The product's warranty period starts only after correct installation. Manufacturer shall not be held responsible for damages arising from procedures carried out by unauthorised persons.
- The appliance must be installed so that it can be completely disconnected from the mains supply. The separation must be provided by a switch built into the fixed electrical installation, according to construction regulations.
- Rear surface of the oven gets hot when it is in use. Make sure that the electrical connection does not come into contact with the rear surface otherwise, connections can get damaged.

- The connection cable must not be clamped, bent or trapped or come into contact with hot parts of the oven. You may cause the oven to short circuit and catch fire as a result of the cable melting. If the power cord is damaged, it must be replaced by a qualified electrician. Otherwise there is a risk of electric shock, short circuit or fire!
- The plug of the power cord should be easily accessible after installation (but not over the hobs).
- When wiring, you must comply with national / local electrical regulations and use socket outlet / line and plug suitable for the Oven. If the power limits of the product exceed the current carrying capacity of the plug and socket outlet / line, you must connect the product directly to the fixed electrical installation without using the plug and socket outlet / line.
- Make sure that fuse rating is compatible with the product.
- Connection must comply with national regulations.
- The mains supply data must correspond to the data specified on the type label of the product. Open the front door to see the type label.
- Power cable of your product must comply with the values in "Technical specifications" table.
- **If the product will be connected directly to the supply power:** If it is not possible to disconnect all poles in the supply power, a disconnection unit with at least 3 mm contact clearance (fuses, line safety switches, contactors) must be connected and all the poles of this disconnection unit must be adjacent to (not above) the product in accordance with IEE directives. Failure to obey this instruction may cause operational problems and invalidate the product warranty.
- Additional protection by a residual current circuit breaker is recommended.

If the product is produced with cable and plug


- Your product is produced with mains cable and plug. Connect the plug of your product to a grounded outlet and make the electrical connection.

If the product is produced with cable and without plug

- Connect the cord of product to supply power as identified below:
 - Brown/black cable = L (Phase)
 - Blue cable = N (Neutral)
 - Green/yellow cable = (E)  (Ground)

If the product is produced without cable and plug

A power cable that it is defined in the technical table home must be connected to product by following the instructions. Power cable must not be longer than 2 m because of safety reasons.

- Open the terminal block cover with a screwdriver.
- Insert the power cable through the cable clamp below the terminal and secure it to the main body with the integrated screw on cable clamping component.
- Connect the cables according to the supplied diagram. **(Figure 7)**
 - N = Neutral (Blue)
 - L = Live-Phase (Brown/black)
 - E = Ground  (Green/yellow)
 - C = Cable clamp
- After completing the wire connections, close the terminal block cover.
- Connect the power cable to supply power by routing it so that it will not contact the product and get squeezed between the product and the wall.

Prevention against possible fire risk!

- Ensure all electrical connections are secure and tight to prevent risk of arcing.
- Do not use damaged cables or extension cables.
- Ensure liquid or moisture is not accessible to the electrical connection point.

Placing and fixing the product (Figure 5-6)

- Place the appliance on the furniture, centered with two or more people.
- If your product is equipped with a telescopic rail, a slope of at least 0,3 degrees towards the back of the oven must be given for the telescopic rails to work properly. For this, after placing the product on the furniture, place the spirit level on the telescopic rail as shown in figure 5 and make sure that the angle of inclination towards the back of the oven is at least 0,3 degrees.

- Fix the product to the furniture using the screws provided. (Figure 6)
- At the end of the installation, check that the screws are properly tightened and that the product is firmly fixed. If the product is not installed in accordance with the instructions and the screws are not properly tightened, there is a risk of tipping during use.

Final check

- After installation, turn on the mains supply.
- Read the user manual for the first use of the product.
- Check product functions.

Removing the product

- Disconnect the product from the mains supply.
- Unscrew the fastening screws.
- Lift the product lightly with two or more people and take it out completely.

DE - Wichtige

Sicherheitshinweise

- Das Gerät muss von einer autorisierten Person gemäß den gültigen Bestimmungen installiert werden. Andernfalls erlischt die Garantie. Der Hersteller haftet nicht für Schäden, die durch Aktivitäten nicht autorisierter Dritter entstehen; zudem erlischt dadurch die Garantie.
- Der Kunde ist verantwortlich für die Vorbereitung des Standortes, an dem der Ofen installiert werden soll, sowie die notwendigen elektrischen Leitungen.
- Die Installation des Gerätes muss in Übereinstimmung mit sämtlichen zutreffenden Vorschriften zur Gas- und Elektroinstallation erfolgen.
- Entfernen Sie vor Installation des Geräts alle darin befindlichen Materialien und Dokumente, sowie die auf dem Gerät befindlichen Aufkleber. Überzeugen Sie sich davon, dass es keine sichtbaren Defekte aufweist. Falls doch, darf es nicht installiert werden. Beschädigte Geräte müssen grundsätzlich als Sicherheitsrisiko betrachtet werden.
- Tragen Sie das Gerät grundsätzlich mit mindestens zwei Personen.
- Greifen Sie beim Tragen oder Heben des Ofens nicht am Griff oder an der Ofenblende (Abbildung 1). Verwenden Sie zu diesem Zweck die Gehäuseprofile an beiden Seiten des Ofens.
- Tragen Sie Schutzhandschuhe während

des Transports und der Installation des Gerätes. Trennen Sie das Gerät vor der Installation vollständig von der Stromversorgung.

- Oberflächen, Kunststoffbeläge und verwendete Kleber müssen hitzebeständig sein (bis mindestens 100 °C).
- Die Küchenmöbel müssen vor der Installation ausreichend fixiert sein.
- Kleiden Sie den Schrank, in dem der Ofen installiert wird, nicht mit Hitzeschutzmatten aus.
- Das Gerät darf zur Vermeidung von Überhitzung nicht hinter dekorativen Türen installiert werden.
- Die Abstände in der Einbauskizze sind in mm angegeben.

Installation

Installation unter der Arbeitsplatte:

(Abbildung 2)

- Im hinteren Bereich des Küchenmöbels muss zur Gewährleistung einer ausreichenden Belüftung eine Öffnung mit den in Abbildung 2 angegebenen Abmessungen ausgeschnitten werden.
- Die Steckdose muss sich im Bereich A/ Abbildung 2 oder außerhalb des Schrankes befinden.
- Wird der Backofen unter einem Kochfeld installiert, beachten Sie bitte die Vorgaben und Abstände in der Bedienungsanleitung des Kochfeldes.

Installation im Schrank: (Abbildung 3)

- Die Öffnungen in Abbildung 3 müssen zur Gewährleistung der Belüftung im hinteren sowie im oberen und unteren Bereich des Schrankes ausgeschnitten werden. Der Ausschnitt muss über die komplette Höhe des Schrankes erfolgen.
- Ist der Schrank mit einer Rückwand ausgestattet, muss diese vor der Installation entfernt werden.
- Die Steckdose muss sich im Bereich A/ Abbildung 3 oder außerhalb des Schrankes befinden.

Wenn das Produkt in eine Ecke gestellt wird: (Abbildung 4a-4b)

- Beachten Sie die angegebenen Abmessungen, um die Eckinstallation in den Abbildungen 4a und 4b durchzuführen.

Elektrischer Anschluss

- Schließen Sie das Gerät an eine geerdete Schutzkontaktsteckdose/Leitung an, die